



### ENGINE

Make: Deere

Model: 4045T

4 cylinder, Displacement: 4.5 liter

115 hp @ 2,400 rpm

Fuel tank capacity: 27.7 gal

### MACHINE WEIGHT

12,500 lbs

### PERFORMANCE

Max. Carrying Capacity 12,000 lbs

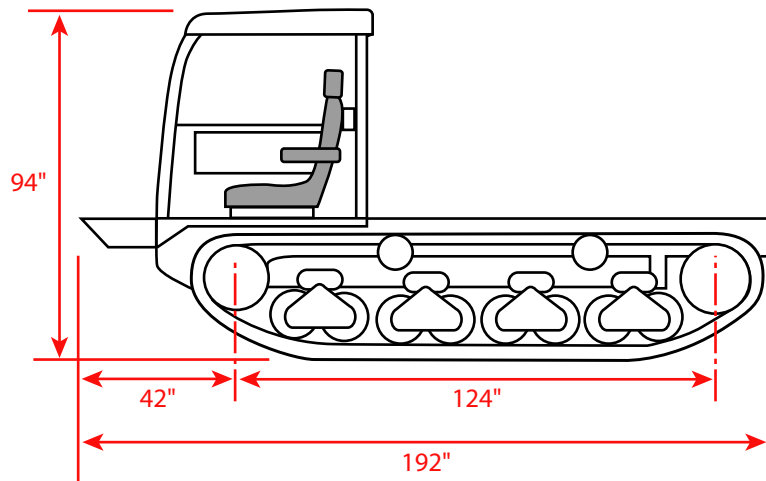
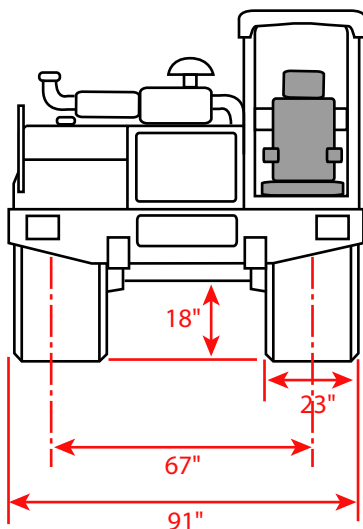
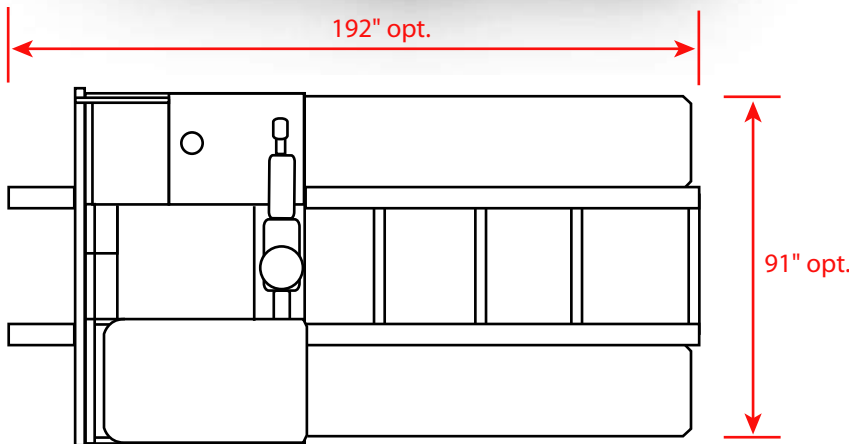
Travel Speed - 1st Gear 5.1 mph

Travel Speed - 2nd Gear 7.5 mph

Gradeability (unloaded) 30 degrees

Ground Pressure 2.3 psi

Ground Pressure (loaded) 3.8 psi





### ENGINE

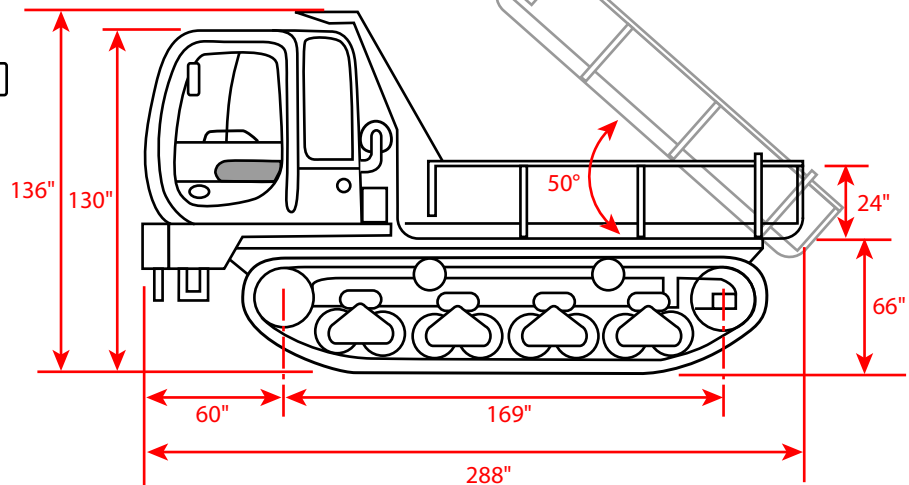
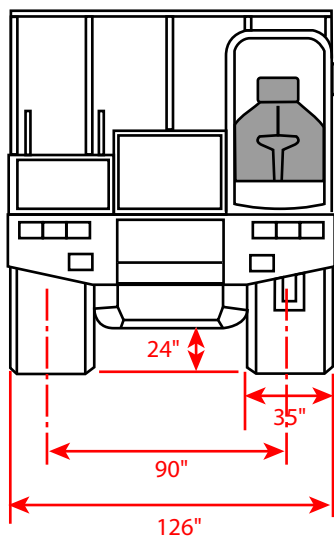
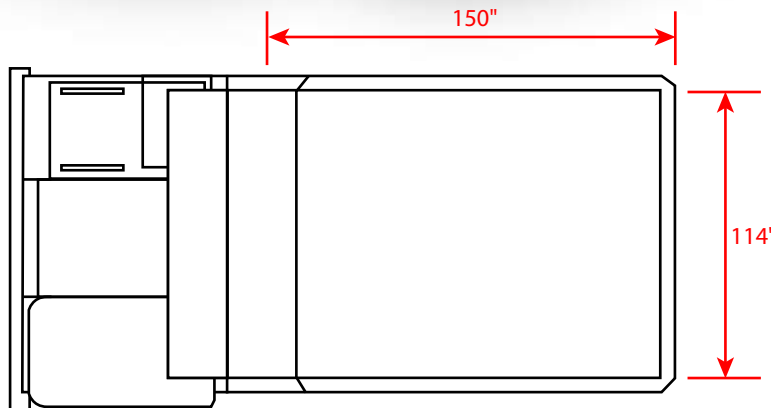
Make: Deere
Model: 6125HF
Displacement: 12.5 liter
475 hp @ 2,200 rpm
Max. Torque: 1600 ft/lbs
Fuel tank capacity: 85 gal

### MACHINE WEIGHT

42,000 lbs

### PERFORMANCE

Max. Carrying Capacity	35,000 lbs
Travel Speed - 1st Gear	0-3.8 mph
Travel Speed - 2nd Gear	3.8-8 mph v
Gradeability (unloaded)	35 degrees
Ground Pressure	3.4 psi
Ground Pressure (loaded)	6.5 psi





### ENGINE

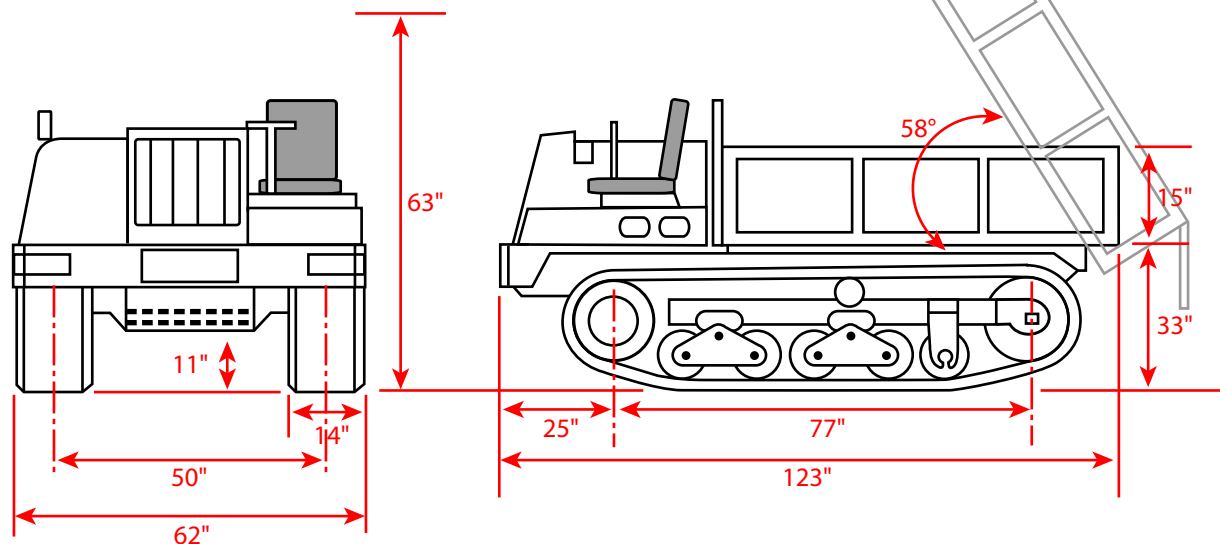
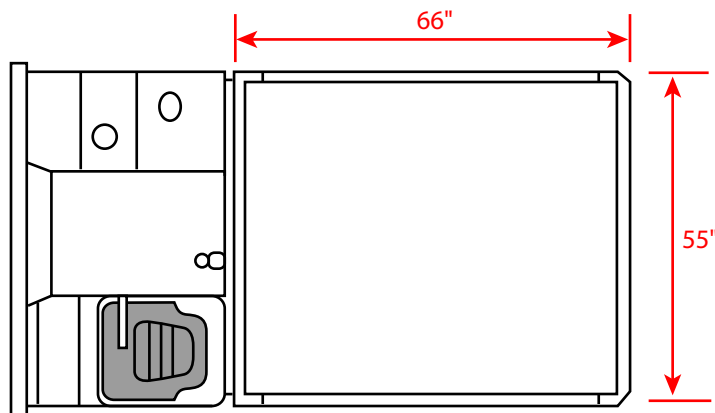
Make: Kubota
Model: V2203
4 cylinder, Displacement: 2.2 liter
46 hp @ 2,800 rpm
Max. torque: 32.4 lbs.
Fuel tank capacity: 13.7 gal

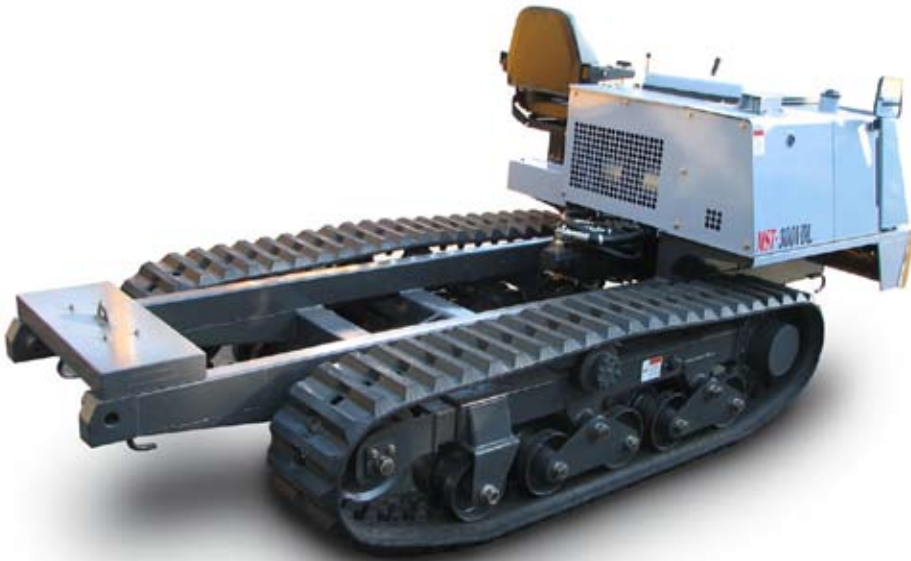
### MACHINE WEIGHT

5,000 lbs

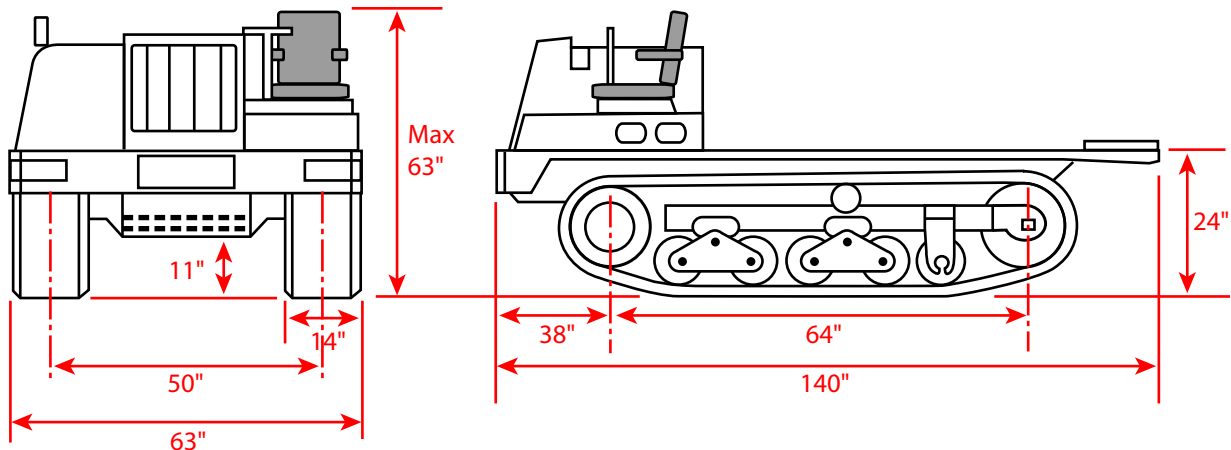
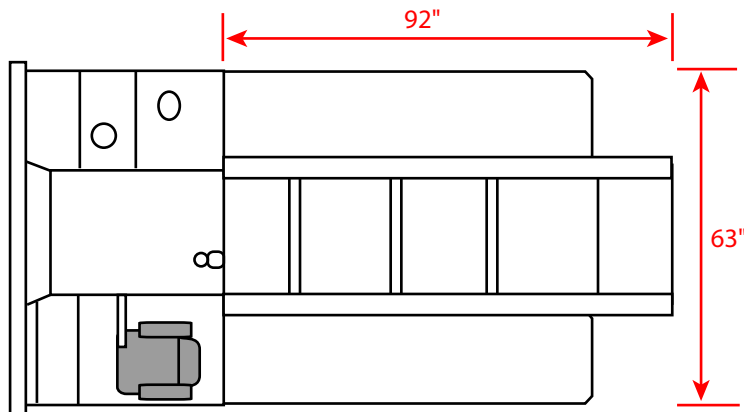
### PERFORMANCE

Max. Loading Capacity	5,000 lbs
Travel Speed - Stage 1	3.73 mph
Travel Speed - Stage 2	5.59 mph
Gradeability (unloaded)	30 degrees
Ground Pressure	2.28 psi
Ground Pressure (loaded)	4.55 psi





<b>ENGINE</b>	
Make:	Kubota
Model:	V2203
4 cylinder, Displacement: 2.2 liter	
46 hp @ 2,800 rpm	
Max. torque:	32.4 lbs.
Fuel tank capacity:	13.7 gal
<b>MACHINE WEIGHT</b>	
5,000 lbs	
<b>PERFORMANCE</b>	
Max. Loading Capacity	5,000 lbs
Travel Speed - Stage 1	3.73 mph
Travel Speed - Stage 2	5.59 mph
Gradeability (unloaded)	30 degrees
Ground Pressure	2.28 psi
Ground Pressure (loaded)	4.55 psi





### ENGINE

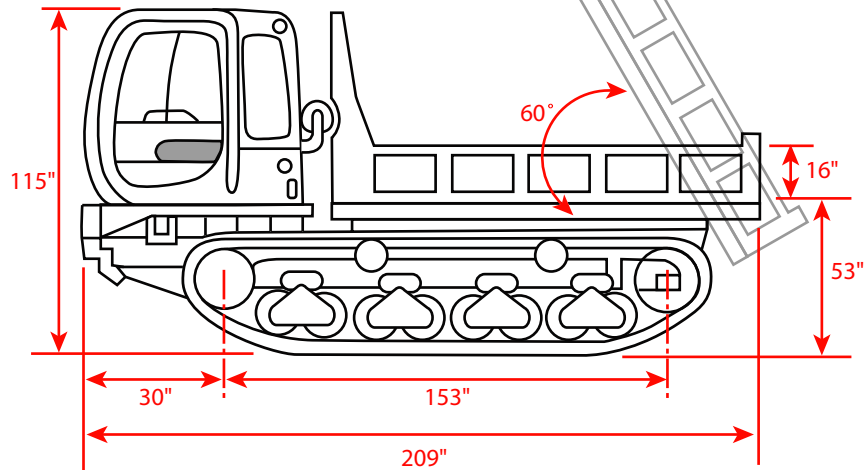
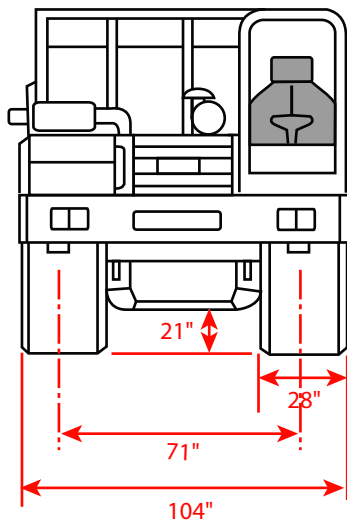
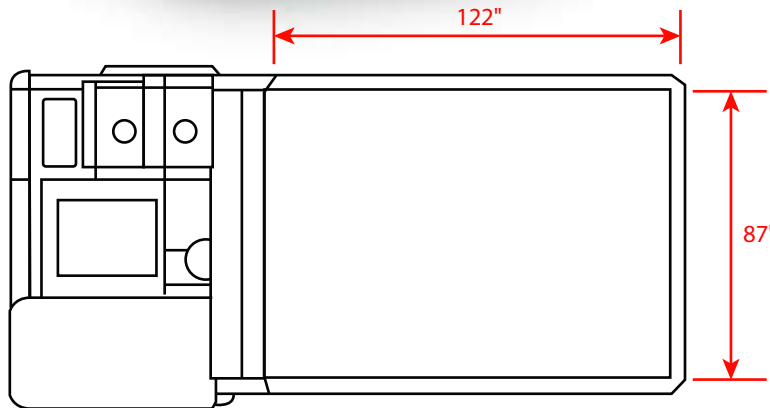
Make: Mitsubishi  
 Model: 6D16-TE2  
 6 cylinder, Displacement: 7.5 liter  
 204 hp @ 2,700 rpm  
 Fuel tank capacity: 39.6 gal

### MACHINE WEIGHT

20,282 lbs

### PERFORMANCE

Max. Loading Capacity	14,000 lbs
Travel Speed - Low	0-4.7 mph
Travel Speed - High	0-6.8 mph
Gradeability (unloaded)	30 degrees
Ground Pressure	2.4 psi
Ground Pressure (loaded)	3.9 psi







**ENGINE**

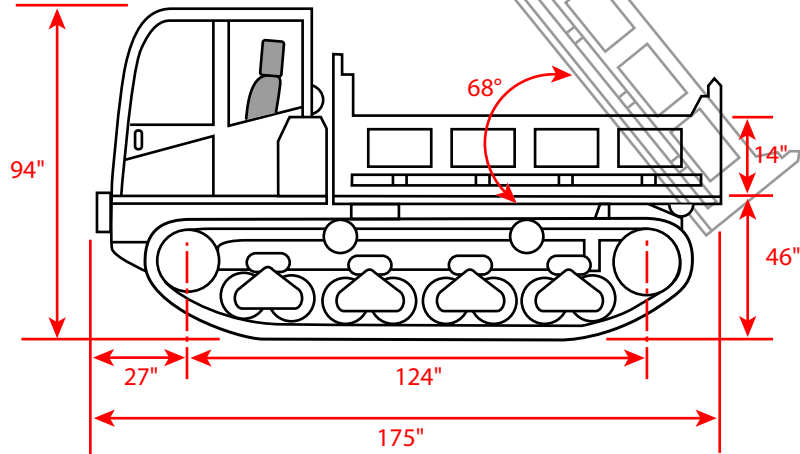
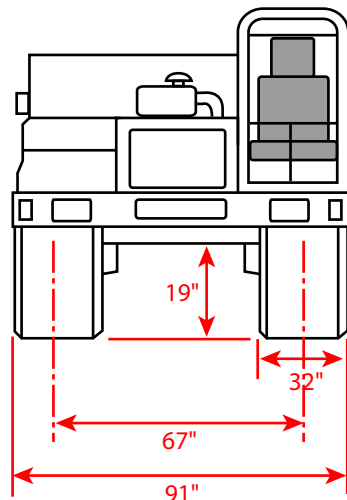
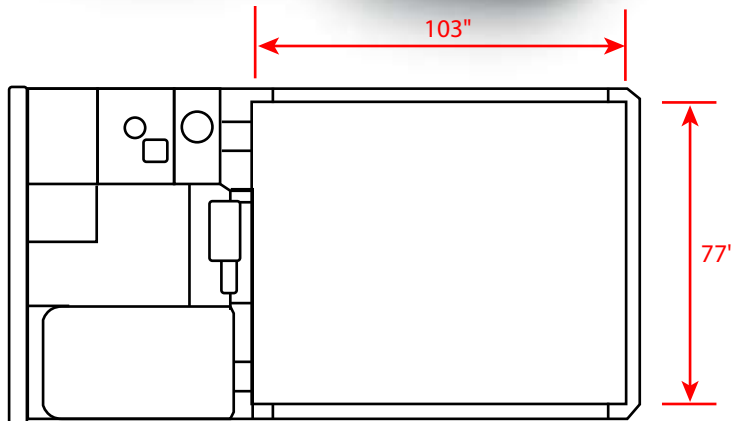
Make: Mitsubishi  
 Model: 4D34-TE2  
 4 cylinder, Displacement: 3.9 liter  
 115 hp @ 2,200 rpm  
 Fuel tank capacity: 27.7 gal

**MACHINE WEIGHT**

13,448 lbs

**PERFORMANCE**

Max. Carrying Capacity	9,460 lbs
Travel Speed - 1st Gear	5.1 mph
Travel Speed - 2nd Gear	7.5 mph
Gradeability (unloaded)	30 degrees
Ground Pressure	2.3 psi
Ground Pressure (loaded)	3.8 psi





### ENGINE

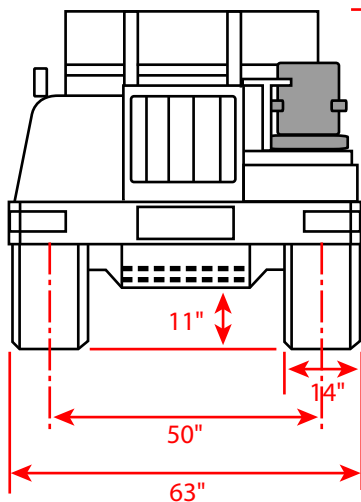
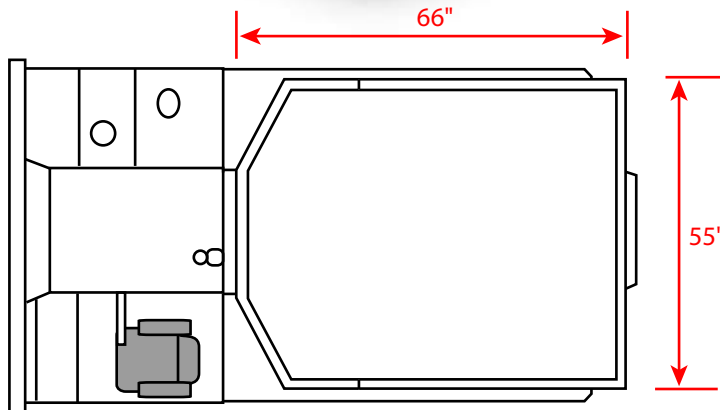
Make: Kubota
Model: V2203
4 cylinder, Displacement: 2.2 liter
46 hp @ 2,800 rpm
Max. torque: 32.4 lbs.
Fuel tank capacity: 13.7 gal

### MACHINE WEIGHT

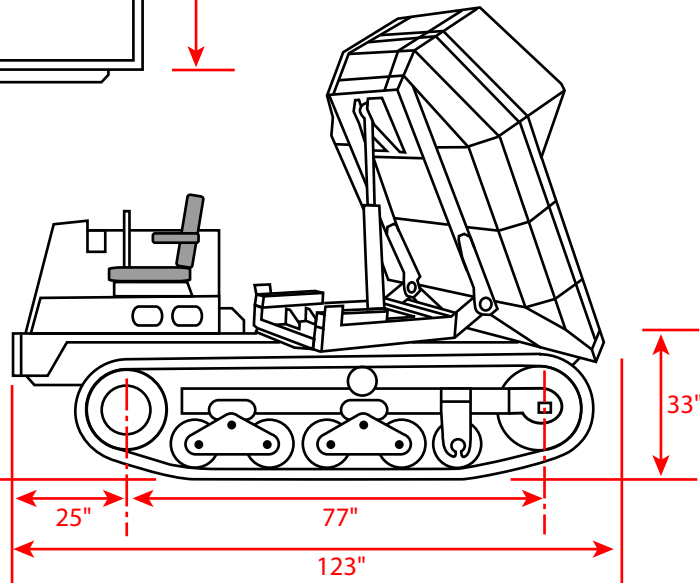
5,000 lbs

### PERFORMANCE

Max. Loading Capacity	5,000 lbs
Travel Speed - Stage 1	3.73 mph
Travel Speed - Stage 2	5.59 mph
Gradeability (unloaded)	30 degrees
Ground Pressure	2.28 psi
Ground Pressure (loaded)	4.55 psi
Bed Rotation	80° R or L



Max  
63"





### ENGINE

Make: Isuzu

Model: 4JG1T

4 cylinder, Displacement: 3 liter

76 hp @ 2,150 rpm

Fuel tank capacity: 22 gal

### MACHINE WEIGHT

8,800 lbs

### PERFORMANCE

Max. Carrying Capacity 7,260 lbs

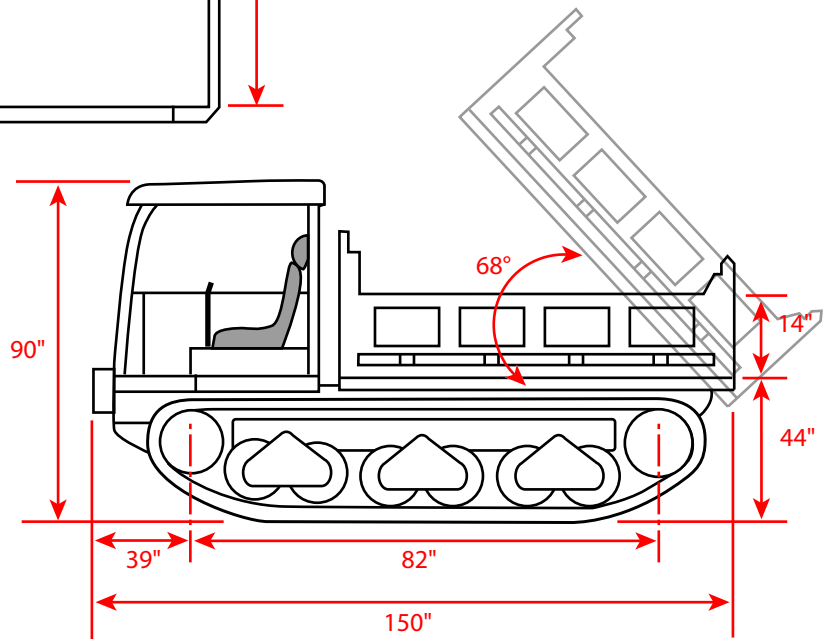
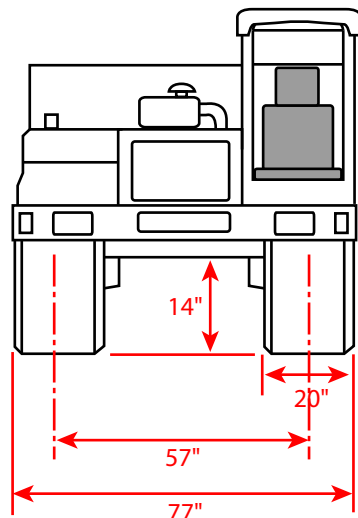
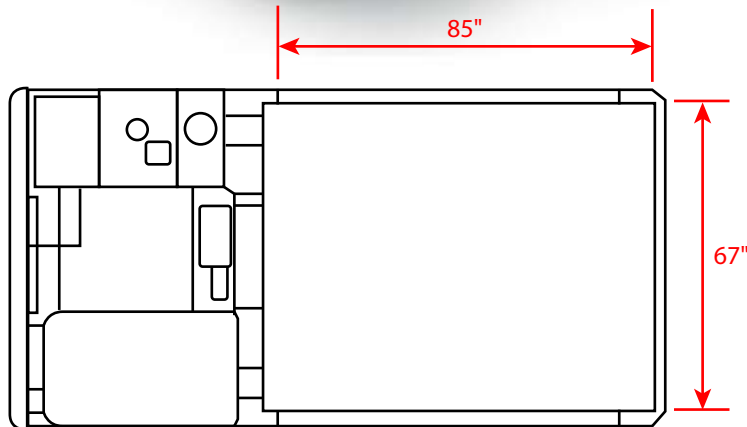
Travel Speed - 1st Gear 4.7 mph

Travel Speed - 2nd Gear 7.5 mph

Gradeability (unloaded) 30 degrees

Ground Pressure 2.7 psi

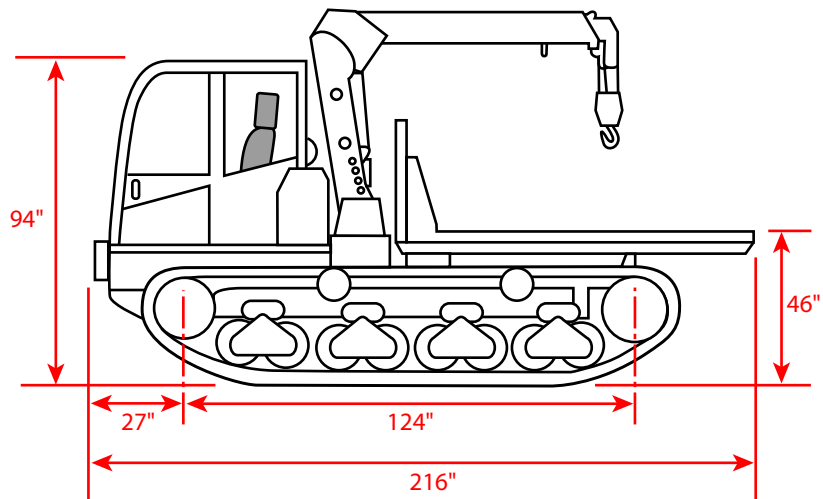
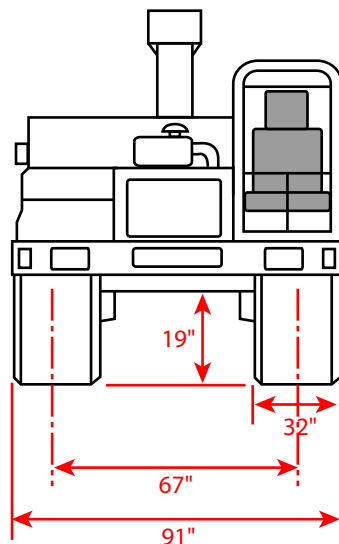
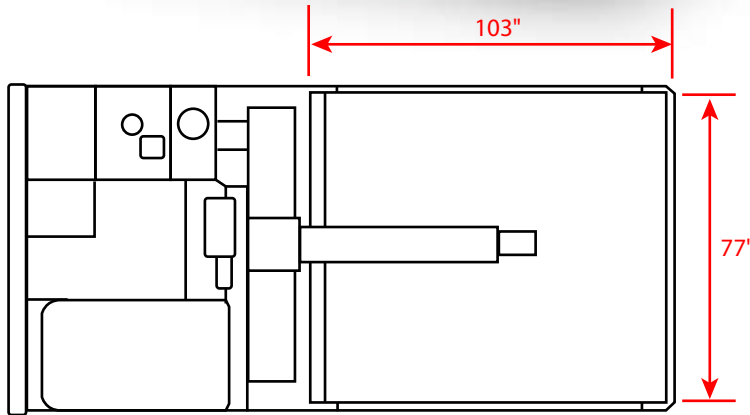
Ground Pressure (loaded) 3.6 psi







ENGINE	
Make:	Mitsubishi
Model:	4D34-TE2
4 cylinder, Displacement:	3.9 liter
115 hp @ 2,200 rpm	
Fuel tank capacity:	27.7 gal
MACHINE WEIGHT	
13,448 lbs	
PERFORMANCE	
Max. Carrying Capacity	9,460 lbs
Travel Speed - 1st Gear	5.1 mph
Travel Speed - 2nd Gear	7.5 mph
Gradeability (unloaded)	30 degrees
Ground Pressure	2.3 psi
Ground Pressure (loaded)	3.8 psi





ENGINE	
Make:	CAT C9
Model:	3126B
6 cylinder, Displacement:	8.8 liter
250 hp @ 2,100 rpm	
Fuel tank capacity:	63.4 gal
MACHINE WEIGHT	
29,762 lbs	
PERFORMANCE	
Max. Carrying Capacity	22,046 lbs
Travel Speed - 1st Gear	0-5.0 mph
Travel Speed - 2nd Gear	0-7.5 mph
Gradeability (unloaded)	30 degrees
Ground Pressure	3.1 psi
Ground Pressure (loaded)	5.7 psi

